

**Remark**  
 Unless otherwise noted:  
 All resistors 0603, 1/10 W  
 All ceramic capacitors MLCC, X7R, 0603, 50 V

For the sake of clarity,  
 all test points omitted

Do not use as a template – incorrect!

**Production**

- FID101 Fiducial
- H101 MountingHole
- H102 MountingHole
- FID102 Fiducial
- H103 MountingHole\_Pad
- H104 MountingHole
- FID103 Fiducial

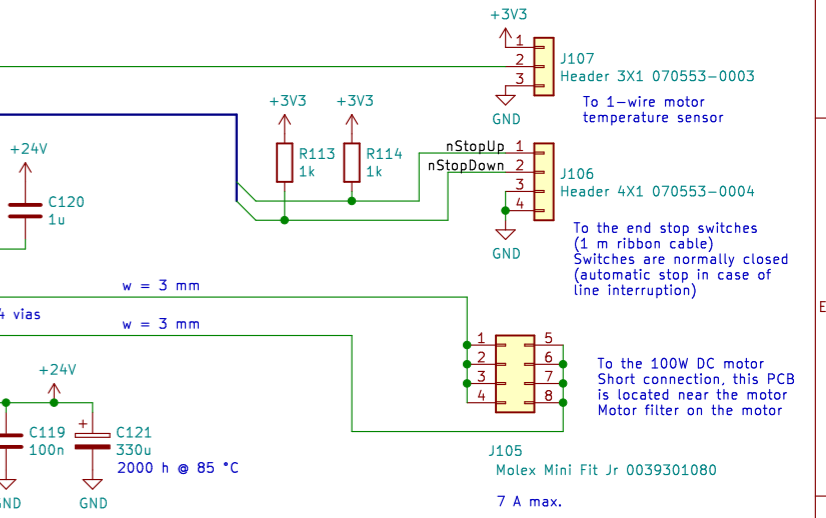
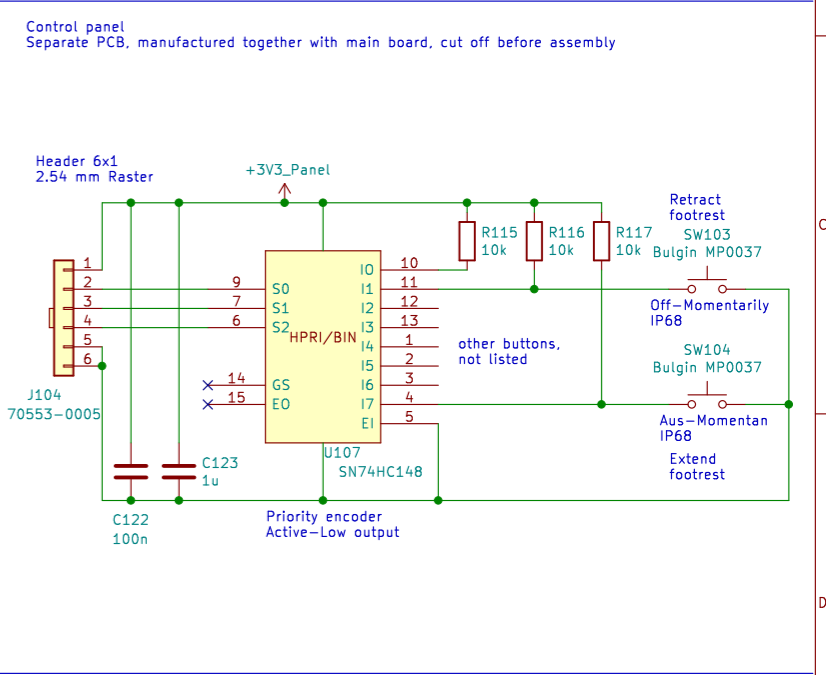
SYM103 Controller, Rev. 3

LBL101 Barcode

QC LBL102

SYM102

A B C D SYM101



<b>Project Title:</b> Design Review Day	
<b>Sheet Title:</b> Controller	
<b>Date:</b> 2023-05-04	<b>Rev:</b> 3
<b>Sheet:</b> 1 of 1	<b>Size:</b> A3
<b>Author:</b> Mathis Nussberger	
<b>© www.designreviewday.com</b>	

